



DIN 330

Features

- Numerical auto-reclosing earth leakage relay
- Incorporated positive safety feature into trip contact
- One programmable contact for flexibility
- Detection of no connection to ZCT
- Relay trip / alarm indicator
- Real-time leakage current display
- Leakage fault current recording
- Remote reset function
- Standard 35mm DIN rail mounting
- Protected against nuisance tripping

Technical Data

AUXILIARY SUPPLY

Model DIN330-230 A(6) : 184 ~ 276 V AC
 Rated frequency : 50 or 60 Hz
 VA rating : 3 VA typical

PERFORMANCE

Setting accuracy : -15% to +0%
 Timing accuracy : ±5%

SETTING

Sensitivity adjustment : 30 mA, 50 mA, 0.10 A - 1.00 A (Step = 50 mA), 1.00 A - 10.0 A (Step = 1.00 A)
 Time delay adjustment: Instantaneous, 0.1s - 3.0s (Step = 0.10 sec.)
 Number of shots : 0 - 30. Step = 1. 0 = Disable auto reclose function
 Dead time : 1 - 500 sec. Step = 1 sec.
 Permanent fault time : 0 - 500 sec. Step = 1 sec. 0 = Disable function
 Reclaim time : 0 - 500 minute (Step = 1 min) 0 = Disable function
 Lockout auto reset time: 0 - 200 hour (Step = 1 Hrs) 0 = Disable function

Programmable contact : Option 0 = Disable
 Option 1 = All (Option 2 to 6)
 Option 2 = ZCT error
 Option 3 = Leakage trip, test trip, re-close lockout
 Option 4 = Re-close lockout
 Option 5 = Pre-fault alarm, leakage trip, test trip, reclose lockout
 Option 6 = Re-close lockout, ZCT error

RECORD

Fault record : 3 latest tripped fault currents or "tSt" for manual test trip
 Storage : Non-volatile memory

INPUT

Remote reset : N.O. dry contact

OUTPUTS

Trip safe contact : Activated when the relay is in normal power-up condition with the measured leakage current less than $0.85 I_{\Delta n}$.
 Programmable contact: Activated according to user setting

OUTPUT CONTACTS

Rated voltage : 250 V AC
 Contact rating : 5 A (NO) 3 A (NC)
 Expected electrical life: 100,000 operations at rated current
 Expected mechanical life: 5×10^6 operations

INDICATORS

50% pre-fault alarm : Red indicator (Normal blink)
 Time delay : Red indicator (Fast blink)
 Leakage trip : 7-segment display and red indicator
 Reclose lockout : 7-segment display and red indicator
 ZCT fault : 7-segment display and red indicator
 Real time leakage current : 7-segment display

ZERO-PHASE CURRENT TRANSFORMER

To operate with Mikro's ZCT series of current transformer

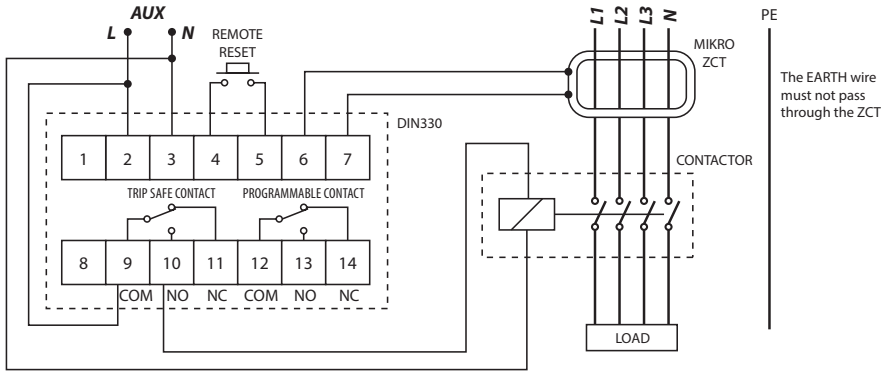
ENVIRONMENTAL CONDITIONS

Temperature : -5°C to +55°C
 Humidity : 56 days at 93% RH and 40°C non-condensing

MECHANICAL

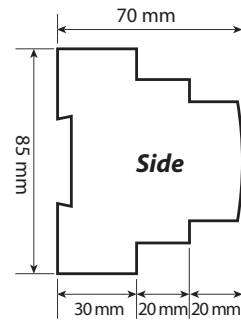
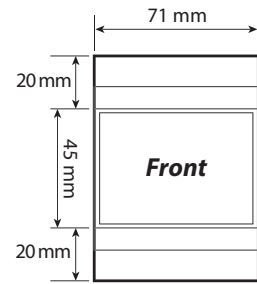
Mounting : Panel mounting
 Dimension (mm) : 71(w) x 85(h) x 70(d)
 Approximate weight : 0.4 kg (excluding ZCT)

Typical Application Diagram



* The trip safe contact is activated (terminal 9-10 closed) when the relay is in normal power-up condition with the measured leakage current less than $0.85 I_{\Delta n}$.

Case Dimensions



Ordering Information

MODEL	DESCRIPTION
DIN330 - 230 A	For 50 Hz system, auxiliary voltage 230 V AC
DIN330 - 230 A6	For 60 Hz system, auxiliary voltage 230 V AC