

MINIATURE CIRCUIT BREAKER



MINIATURE CIRCUIT BREAKER BHA Series | 4.5kA/6kA/10kA

Applications :

Applicable to the residential, industrial and commercial power distribution systems, provide circuit-control and protection on equipments against any impacts of overload and short-circuit.

Type designation :

Type	Rated short-circuit breaking capacity (kA) Rated voltage (V)	Number of poles (P)	Tripping characteristics	Rated current I _n (A)
BHA	2: 4.5kA; 3: 6kA; 4: 10kA 230/400V	1, 2, 3, 4	C type: 5~10I _n D type: 10~15I _n	1, 2, 3, 4, 5, 6, 10, 16, 20, 25, 32, 40, 50, 63

Standard : IEC 60898/ IEC 60947-2 / GB 10963

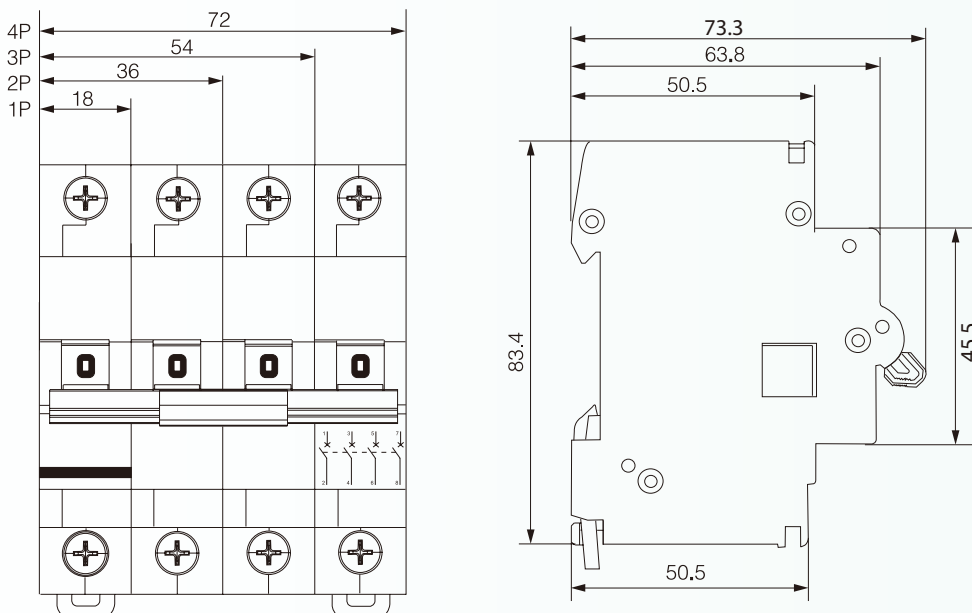
Technical specification :

- Rated voltage : AC 230/400V
- Rated current : 1~63A
- Rated short-circuit breaking capacity : 4,500/6,000/10,000A
- Tripping characteristics :
C type : 5~10I_n
D type : 10~15I_n
- Mechanical life : 20,000 operations
- Wiring capabilities : Stranded wire-16mm² / Rigid wire-25mm²
- Ambient temperature : -5°C~+40°C

Features :

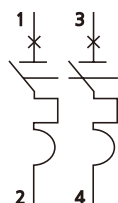
- Provide circuit protections –
Good choice for overload and short-circuit protections.
- Complete accessories available –
shunt trip(SHT), under-voltage trip(UVT), over-voltage trip(OVT), auxiliary switch(AX), alarm switch(AL).
- Easy installation –
Modularized structure design can be tool-free installed on standard DIN-rail TH35mm.

Dimension :

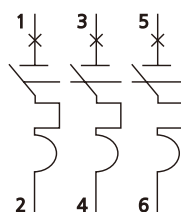




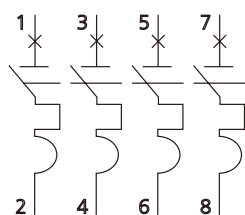
Poles (P)	Rated current (A)	Width (mm)	Weight (g)
1P	1	18	113
	2	18	113
	3	18	113
	4	18	113
	5	18	113
	6	18	113
	10	18	113
	16	18	113
	20	18	113
	25	18	113
	32	18	113
	40	18	113
	50	18	113
	63	18	113



2P	1	36	228
	2	36	228
	3	36	228
	4	36	228
	5	36	228
	6	36	228
	10	36	228
	16	36	228
	20	36	228
	25	36	228
	32	36	228
	40	36	228
	50	36	228
	63	36	228



3P	1	54	341
	2	54	341
	3	54	341
	4	54	341
	5	54	341
	6	54	341
	10	54	341
	16	54	341
	20	54	341
	25	54	341
	32	54	341
	40	54	341
	50	54	341
	63	54	341



4P	1	72	456
	2	72	456
	3	72	456
	4	72	456
	5	72	456
	6	72	456
	10	72	456
	16	72	456
	20	72	456
	25	72	456
	32	72	456
	40	72	456
	50	72	456
	63	72	456